



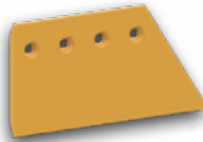
## Side Cutters & Strike Offs



9J1857



9J1855



4T2963



096 4748



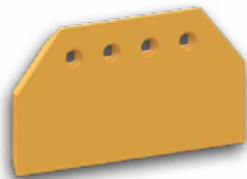
174 8044



232 2140



8J9615



4T2886



7Y0357



232 2147

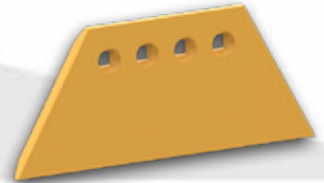


8J5188

Part Number	Description	Weight	Model
9J1857/58	Half Arrow Strike Off RH/LH	19 lbs	215, 219, E180, E200 EL200
9J1855/56	Blade / Combination Side Cutter RH/LH	25 lbs	
4T2963/64	Blade Extension RH/LH	16 lbs	315 GP&B Buckets, M318, M320 B Buckets
0964747/48	One Piece Side Cutter RH/LH	31 lbs	
2322140/1748044	Half Arrow Strike Off RH/LH	53 lbs	245 B&C Buckets, 235 E300, 231, 225, 229 E240, 318
8J9614/15	Blade / Combination Side Cutter RH/LH	50 lbs	
4T2886	Blade Extension RH/LH	32 lbs	
7Y0357/58	One Piece Side Cutter RH/LH	40 lbs	
2322147/48	Heavy Duty One Piece RH/LH	52 lbs	
8J5188	Half Arrow Strike Off RH/LH	53 lbs	245, 318, E, F, G, H & J Buckets
8J9825/26	Blade / Combination Side Cutter RH/LH	69 lbs	
4T6664	Blade Extension RH/LH	45 lbs	345/365 F,G,V,W Buckets
2568690/91	Heavy Duty One Piece RH/LH	94 lbs	
2057074180/90	One Piece Side Cutter RH/LH	32 lbs	PC100-200
2077034160/70	One Piece Side Cutter RH/LH	42 lbs	PC300-350
2087034160/70	One Piece Side Cutter RH/LH	59 lbs	PC400-450
4217022990/80	One Piece Side Cutter RH/LH	31 lbs	WA380-480
CE17748R3/L3	One Piece Side Cutter RH/LH	43 lbs	Esco® Style
PDE34687	One Piece Side Cutter RH/LH	17 lbs	
PDE31329	Heavy Duty One Piece RH/LH	37 lbs	
T1156A/57A	Side Cutter RH/LH	60 lbs	Hensley® Style
B330/B331	One Piece Side Cutter RH/LH	55 lbs	
D54698	Side Cutter	4.6 lbs	Bobcat Style
4M870UL	Side Cutter	8.7 lbs	MTG Style



8J9825



4T6664



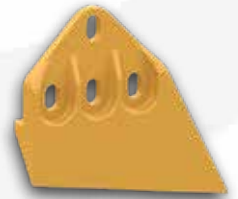
207 70 34160



208 70 34160



PDE 34687



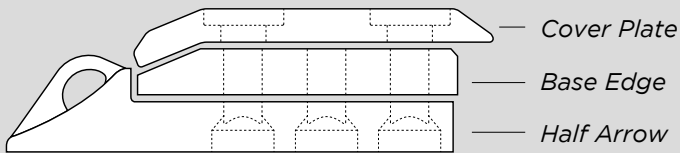
B330



**BLACK CAT**  
WEAR PARTS



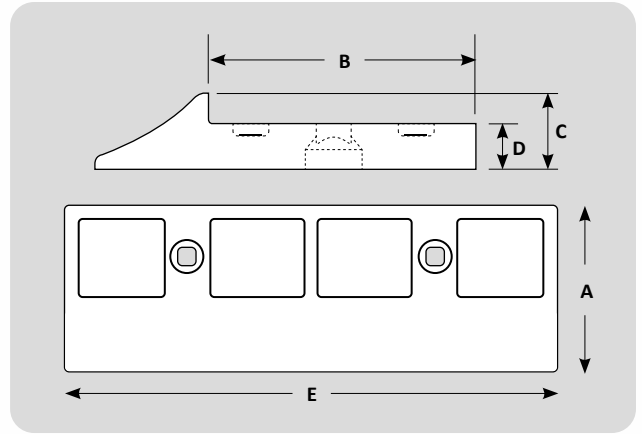
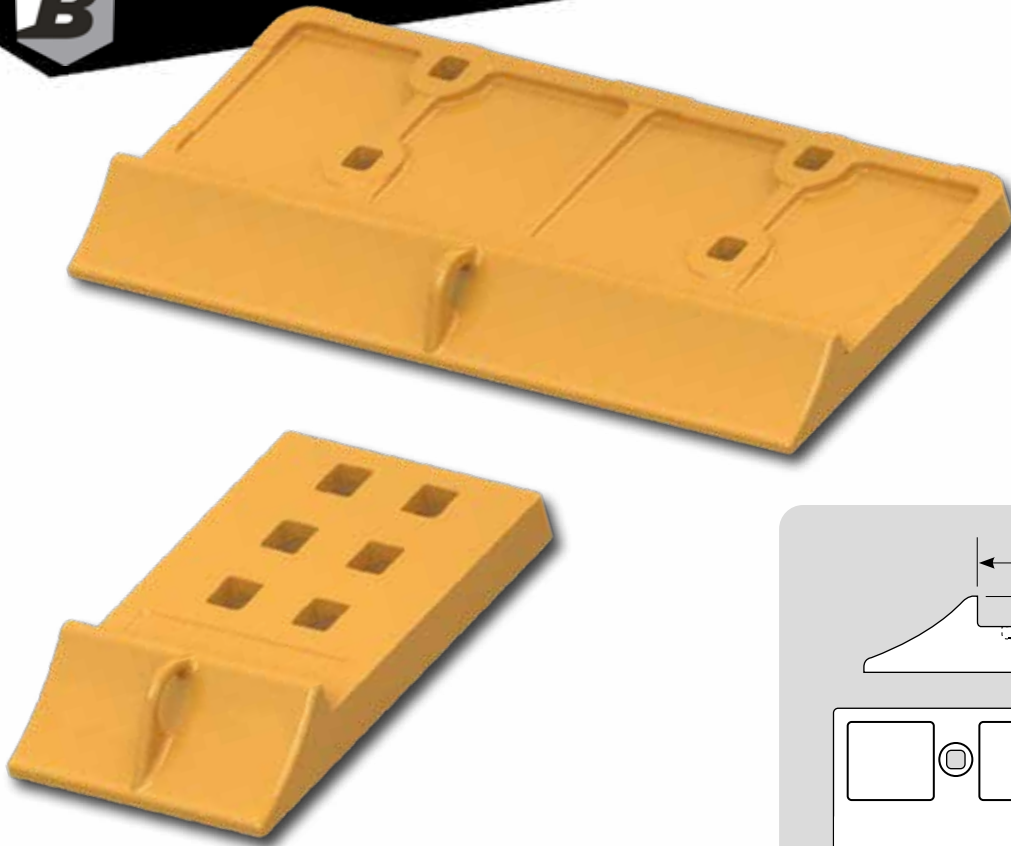
## **HALF ARROW** Segments & Blades for Applications on Caterpillar® Equipment



[www.blackcatwearparts.com](http://www.blackcatwearparts.com) [sales@blackcatwearparts.com](mailto:sales@blackcatwearparts.com) Toll Free: 1.800.661.6666 T: 780.465.6666 F: 780.465.9595

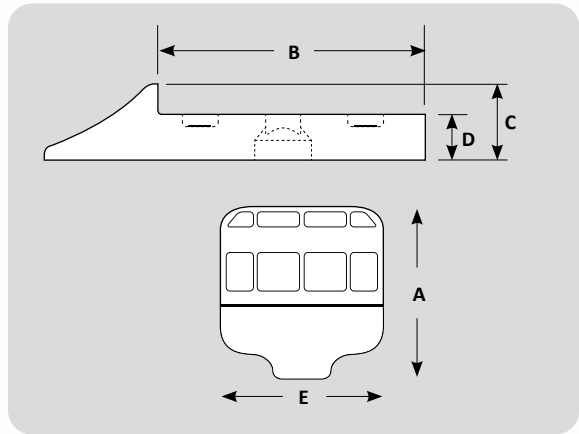
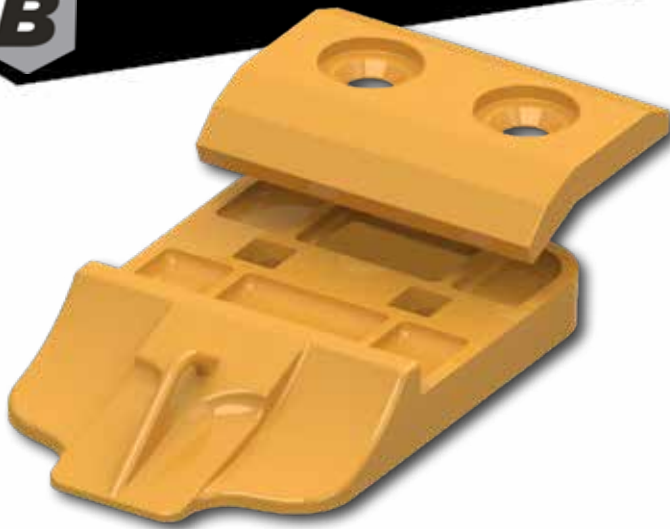
Caterpillar® and other identities and/or trademarks referred to in this publication are the registered marks of the entities noted herein. The use of any trademarks of others than Black Cat Wear Parts Ltd. are solely and exclusively for identification, informational, comparative, and descriptive purposes. Black Cat Wear Parts Ltd. is not affiliated with any owner of such registered marks and does not make, use, or sell any products manufactured by any such entity identified in this publication.

**105.0621**



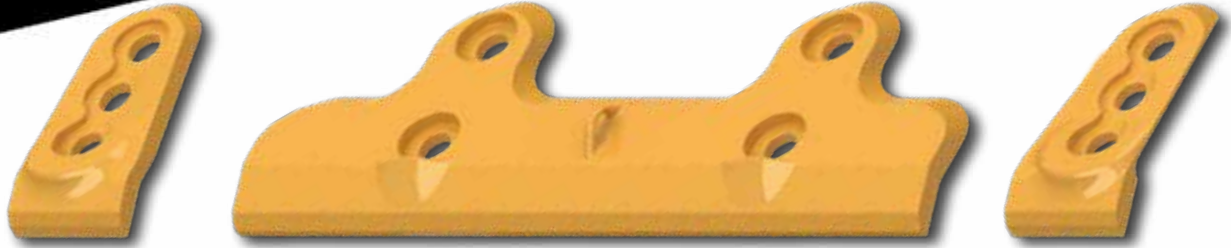
## Half Arrow Blades

Part Number	Description	Weight	Replaces (DBF)	Model	A	B	C	D	E	Holes
1U0601HAN	CTR Blade (3 req.)	116 lbs	1U0601 or 132 1034 (2 req.)	950B, E, F	10.38"	6.75"	2.38"	1.63"	30.25"	2
139 9230HAN	CTR Blade (3 req.)	130 lbs	139 9230 or 135 9666 (2 req.)	950G,H 962G,H 1T62G,H	10.38"	6.75"	2.38"	1.63"	32.15"	2
4T8101HA	End RH or LH (2 req.)	49 lbs	4T8101 or 132 1033 (2 req.)	950B,E,F,G,H 962G,H 1T62G,H	15.13"	11.50"	2.38"	1.63"	8.38"	3
1U0593HA	CTR Blade (3 req.)	230 lbs	1U0593 or 100 4046 (2 req.)	960F, 966D,E,F,G,H, 970F, 972G,H	15.63"	12.00"	2.88"	1.75"	33.50"	4
1U0593HAN	CTR Blade (3 req.)	163 lbs			11.13"	7.50"	2.88"	1.75"	33.50"	2
100 6668HA	CTR Blade (3 req.)	240 lbs	100 6668 or 140 6823 (2 req.)	966G,H 970F, 972G,H	15.63"	12.00"	2.88"	1.75"	35.38"	4
100 6668HAN	CTR Blade (3 req.)	172 lbs			11.13"	7.50"	2.88"	1.75"	35.38"	2
3G6395HAR	End RH. (1 req.)	69 lbs	3G6395 or 100 4044 (2 req.)	960F, 966D,E,F,G,H 970F, 972G,H	15.63"	12.00"	2.88"	1.75"	9.50"	3
3G6395HAL	End LH. (1 req.)	69 lbs			15.63"	12.00"	2.88"	1.75"	9.50"	3
217 4725	CTR Blade (3 req.)	274 lbs	1U0762 or 100 4047 (2 req.)	980C,F	16.75"	12.08"	3.13"	1.88"	36.75"	4
217 4725N	CTR Blade (3 req.)	221 lbs			12.75"	8.08"	3.13"	1.88"	36.75"	2
217 4727	CTR Blade (3 req.)	281 lbs	109 9212 or 109 9230 (2 req.)	980 F,G,H	16.75"	12.08"	3.13"	1.88"	37.94"	4
217 4727N	CTR Blade (3 req.)	227 lbs			12.75"	8.08"	3.13"	1.88"	37.94"	2
9W1375HAN	CTR Blade (3 req.)	203 lbs	9W1375	988B	12.75"	8.08"	2.75"	1.50"	39.88"	2
217 4726	End RH or LH (2 req.)	82 lbs	1U0761 or 100 4043 (2 req.)	980C,F,G,H 988B	16.75"	12.08"	3.13"	1.88"	10.50"	6
9W5733HA	CTR Blade	190 lbs	9W5733 or 106 1096	988 B	16.00"	10.50"	3.25"	1.75"	27.81"	5
9W5734HA	CTR Blade	83 lbs	9W5734	980, 988B, G	16.00"	10.50"	3.25"	1.75"	12.25"	3
9W5736HA	Intermediate RH	210 lbs	9W5736 or 106 1098	988 B	16.00"	10.50"	3.25"	1.75"	30.14"	6
9W5731HA	Intermediate LH	210 lbs	9W5731 or 106 1094	988 B	16.00"	10.50"	3.25"	1.75"	30.14"	6
9W5735HA	End RH. (1 req.)	193 lbs	9W5735 or 106 1097	988 B	16.00"	10.50"	3.25"	1.75"	27.85"	4
9W5732HA	End LH. (1 req.)	193 lbs	9W5732 or 106 1095	988 B	16.00"	10.50"	3.25"	1.75"	27.85"	4
104 5841HAC	CTR Blade	276 lbs	104 5841 (2 req.)	988, F, G, H	16.75"	12.08"	3.00"	1.75"	38.82"	4
1045841 HALR	CTR Intermediate RH/LH (2 req.)	286 lbs			16.75"	12.08"	3.00"	1.75"	42.93"	4
217 4726	End Rh or LH (2 req.)	82 lbs	1U0761 or 100 4043 (2 req.)	988, F, G, H	16.75"	12.08"	3.13"	1.88"	10.50"	6

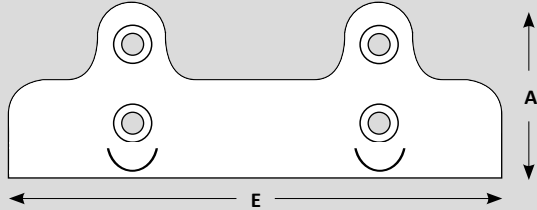


## Half Arrow Segments

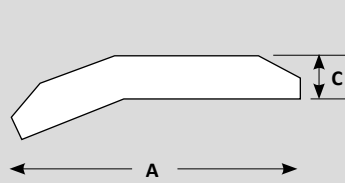
Part Number	Description	Weight	Replaces (DBF)	Model	A	B	C	D	E	Holes
4T6692HA	Segment	25 lbs	4T6692	939 - 963	10.88"	6.13"	2.25"	1.38"	7.69"	2
4T6693HA	Segment	26 lbs	4T6693 or 132 1036	920 - 963	10.88"	6.13"	2.25"	1.38"	8.25"	2
4T6694HA	Segment	29 lbs	4T6694 or 132 1035	916 - 963	10.88"	6.13"	2.25"	1.38"	9.00"	2
4T6695HA	Segment	34 lbs	4T6695 or 132 1037	936 - 960	10.88"	6.13"	2.25"	1.38"	10.44"	2
174 4114	Segment	55 lbs	4T6699 or 140 6868	960F, 966D,E,F,G, 970F, 972G	13.50"	7.50"	2.88"	1.75"	10.63"	2
174 4116	Segment	59 lbs	100 6666 or 140 6870	966G, 970F, 972G	13.50"	7.50"	2.88"	1.75"	11.56"	2
173 7447	Segment	59 lbs	4T6700 or 107 8580	980C,F, 988B	13.75"	7.75"	2.88"	1.56"	11.38"	2
174 4115	Segment	69 lbs	109 9019 or 135 8219	980F,G,H	14.63"	8.13"	2.88"	1.75"	12.50"	2
135 9544	CTR Segment	83 lbs	135 9294	966G, 972G	18.32"	10.31"	2.88"	1.75"	11.81"	2
135 9545/46	RH/LH Segment	86 lbs	135 9295/96		18.32"	10.31"	2.88"	1.75"	11.97"	2
113 3140	CTR Segment	80 lbs	4T3015 or 107 8582 or 140 6862	980C,F	18.28"	10.28"	2.88"	1.75"	11.34"	2
113 3141/42	RH/LH Segment	94 lbs	4T7139/40 or 107 8583/84		18.28"	10.28"	2.88"	1.75"	12.91"	2
9W5734HA	CTR Segment	83 lbs	9W5734	980 988B,G	16.00"	10.50"	3.25"	1.75"	12.25"	3
116 7460	CTR Segment	100 lbs	9W5734 or 107 3490	980F,G, 988B,F	18.83"	11.00"	3.13"	2.00"	12.28"	3
116 7461/62	RH/LH Segment	97 lbs	9W5737/30 or 107 3491/92		18.83"	11.00"	3.13"	2.00"	12.28"	3
109 9080	CTR Segment	105 lbs	101 9435 or 107 3536	988F,G, 5080	18.83"	11.00"	3.13"	2.00"	13.47"	3
109 81/82	RH/LH Segment	109 lbs	101 9436/37 or 107 3537/38		18.83"	11.00"	3.13"	2.00"	13.47"	3
109 9080HD	CTR Segment	108 lbs	101 9435 or 107 3536	988F,G, 5080	17.79"	10.83"	3.13"	2.00"	13.47"	3
109 9081HD/82HD	RH/LH Segment	112 lbs	101 9436/37 or 107 3537/38		17.79"	10.83"	3.13"	2.00"	13.47"	3
257 1782	CTR Segment	133 lbs	N/A	988H	16.55"	10.82"	3.00"	2.00"	16.00"	4
257 1783/84	RH/LH Segment	138 lbs	N/A		16.55"	10.82"	3.00"	2.00"	16.00"	4
275 5460	CTR Segment	191 lbs	4T6760/61/62 or 107 3530/31/32 or 107 6294/95/96	988F,G, 990, 992D,G	21.34"	13.09"	4.25"	2.50"	16.14"	4
275 5461/62	RH/LH Segment	213 lbs	4T6760/61/62 or 107 3530/31/32 or 107 6294/95/96		21.34"	13.09"	4.25"	2.50"	17.17"	4
275 5470	CTR Segment	240 lbs	4T6760/61/62 or 107 3530/31/32 or 107 6294/95/96	988F,G, 990, 992D,G	21.34"	13.09"	5.00"	3.25"	16.14"	4
275 5471/72	RH/LH Segment	272 lbs	4T6760/61/62 or 107 3530/31/32 or 107 6294/95/96		21.34"	13.09"	5.00"	3.25"	17.17"	4
264 2090	CTR Segment	194 lbs	N/A	990H	21.45"	13.91"	3.81"	2.50"	18.51"	4
264 2091/92	RH/LH Segment	206 lbs	N/A		21.45"	13.91"	3.81"	2.50"	18.51"	4
109 9030	CTR Segment	355 lbs	103 1833	994, D,F	26.75"	17.21"	6.00"	3.50"	17.32"	5
109 9033	CTR Segment	483 lbs	107 3383		26.75"	17.21"	6.00"	3.50"	24.49"	5
109 9031/32	RH/LH Segment	359 lbs	103 1834/35 on specific base edges	994 B.E.# 101 5868/5865, 110 2339	27.55"	18.89"	6.00"	3.50"	17.32"	5
117 6805/06	RH/LH Segment	350 lbs	103 1834/35 on specific base edges	994 B.E. # 121 2105/6660	26.75"	17.21"	6.00"	3.50"	17.32"	5



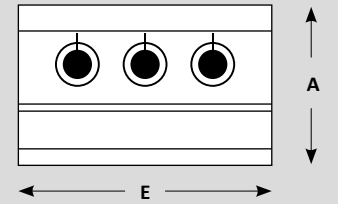
**Half Arrow Blade Cover Plate**



**Half Arrow Cover Plate End View**



**Half Arrow Segment Cover Plate**



### Half Arrow Blade Cover Plates

Part Number	Description	Weight	Number Required	Model	A	C	E	Holes
1U0593TP	CTR Cover Plate	60 lbs	(3 req.)	960F, 966D,E,F,G,H, 970F, 972G,H	12.59"	1.00"	33.50"	4
100 6668TP	CTR Cover Plate	62 lbs	(3 req.)	966G,H 970F, 972G,H	12.59"	1.00"	35.38"	4
3G6395TPR	RH Cover Plate	13 lbs	(1 req.)	960F, 966D,E,F,G,H 970F, 972G,H	12.59"	1.00"	5.75"	3
3G6395TPL	LH Cover Plate	13 lbs						
217 4725TP	CTR Cover Plate	91 lbs	(3 req.)	980C,F	13.37"	1.25"	36.75"	4
217 4727TP	CTR Cover Plate	93 lbs	(3 req.)	980F,G,H	13.37"	1.25"	37.94"	4
217 4726TPR	RH Cover Plate	18 lbs	(1 req.)	980C,F,G,H	13.37"	1.25"	6.00"	3
217 4726TPL	LH Cover Plate	18 lbs						

### Half Arrow Segment Cover Plates

Part Number	Description	Weight	Used With	Model	A	C	E	Holes
113 3140TP	CTR Cover Plate	26.0 lbs	113 3140	980C,F	7.86"	1.25"	11.34"	2
113 3141TP/42TP	RH/LH Cover Plate	31.0 lbs	113 3141/42		7.86"	1.25"	15.27"	2
195 7180CAST	CTR Cover Plate	32.8 lbs	116 7460 or 109 9080	988F, G	8.24"	1.25"	13.50"	3
195 7181/82CAST	RH/LH Cover Plate	34.0 lbs	116 7461/62 or 109 9081/82		8.24"	1.25"	16.00"	3
195 7096CAST	CTR Cover Plate	40.0 lbs	119 6000 or 275 5460 or 275 5470	988F,G, 990, 992D,G	9.63"	1.25"	16.00"	4
195 7097/98CAST	RH/LH Cover Plate	45.0 lbs	275 5461/62 or 275 5471/72		9.63"	1.25"	20.25"	4
264 2096	CTR Cover Plate	40 lbs	264 2090	990	9.86"	0.94"	18.50"	4
264 2097/98	RH/LH Cover Plate	48 lbs	264 2091/92		9.85"	0.94"	22.95"	4
208 5327	CTR Cover Plate	49.0 lbs	119 6000 or 275 5460 or 275 5470	992G	10.25"	1.25"	16.00"	4
208 5328/29	RH/LH Cover Plate	54.0 lbs	275 5461/62 or 275 5471/72	High Abrasion Buckets 35 degree bevel	10.20"	1.25"	17.56"	4
195 7230	CTR Cover Plate	84.0 lbs	109 9030	994D, F	13.06"	1.50"	17.50"	5
195 7231/32	RH/LH Cover Plate	92.0 lbs	117 6805/06		13.50"	1.50"	17.10"	5
109 9033TP	CTR Cover Plate	122 lbs	109 9033	994D, F	13.06"	1.50"	24.5"	5
109 9031TP/32TP	RH/LH Cover Plate	65.0 lbs	109 9031/32		13.75"	1.50"	17.65"	5

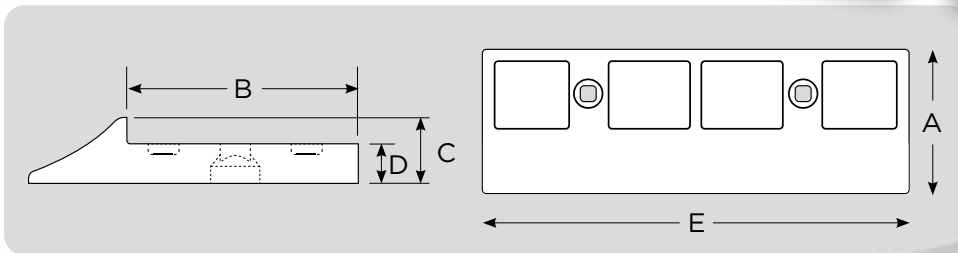
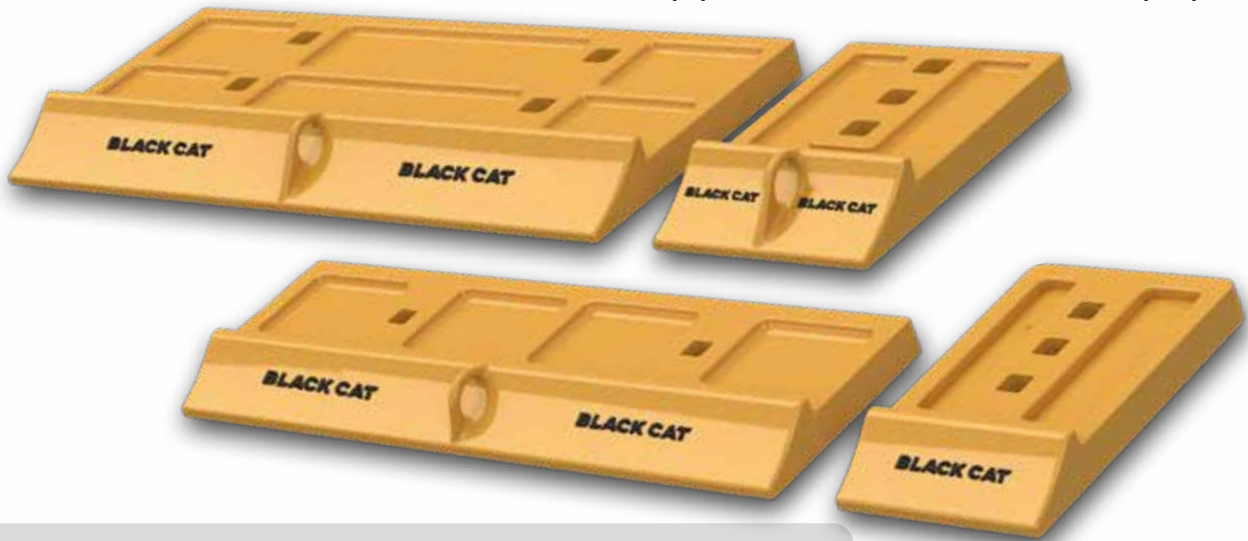
www.blackcatwearparts.com sales@blackcatwearparts.com Toll Free: 1.800.661.6666 T: 780.465.6666 F: 780.465.9595

Caterpillar® and other identities and/or trademarks referred to in this publication are the registered marks of the entities noted herein. The use of any trademarks of others than Black Cat Wear Parts Ltd. are solely and exclusively for identification, informational, comparative, and descriptive purposes. Black Cat Wear Parts Ltd. is not affiliated with any owner of such registered marks and does not make, use, or sell any products manufactured by any such entity identified in this publication.



## HALF ARROW Segments & Blades

for Applications on OEM Equipment



### John Deere® Equipment

Part Number	Description	Weight	Replaces	Model	A	B	C	D	E	Holes
T198126HA	CTR Blade (3 req.)	283.0 lbs	T198126 (3 req.)	844J	16.73	12.07	3.13	1.87	37.56	4
T196455HA	End RH or LH (2 req.)	83.0 lbs	T196455 (2 req.)		16.73	12.07	3.13	1.87	11.10	3
T167828HAN	CTR Blade (3 req.)	130.0 lbs	T167828 (1 req.)	644H/J 724J - 115" Bucket	10.37	6.75	2.37	1.63	31.65	2
T171386HANC	CTR Blade (1 req.)	137.0 lbs	T171386 (2 req.)	644H/J 724J - 120" Bucket	10.37	6.75	2.37	1.63	33.24	2
T171386HAN	CTR Intermediate (2 req.)	138.0 lbs			10.37	6.75	2.37	1.63	33.62	2
T167829HAR	End RH (1 req.)	54.0 lbs	T167829 (2 req.)	644H/J 724J - Both Buckets	14.75	11.13	2.37	1.63	9.35	3
T167829HAL	End LH (1 req.)	54.0 lbs								
T167922HAN	CTR Blade (3 req.)	134.7 lbs	T167922	744H/J	11.38"	7.75"	2.63"	1.50"	33.19"	2
T156530HANC	CTR Blade (1 req.)	147.7 lbs	T156530	744H/J, 824J	11.38"	7.75"	2.63"	1.50"	35.76"	2
T153530HANL	CTR LH (1 req.)	149.4 lbs			11.38"	7.75"	2.63"	1.50"	36.56"	2
T156530HANR	CTR RH (1 req.)	150.5 lbs			11.38"	7.75"	2.63"	1.50"	36.56"	2
AT139622HAL	End LH (1 req.)	61.6 lbs	139622	744E/H/J, 824J	15.63"	12.00"	2.88"	1.75"	9.53"	3
AT139622HAR	End RH (1 req.)	61.0 lbs								

### Kawasaki® Blades & Segments

Part Number	Description	Weight	Replaces	Model	A	B	C	D	E	Holes
3093520170H	CTR Blade (3 req.)	189.0 lbs	3093520170 / O3D 7430L001	95Z3, 4	12.50"	7.00"	3.13"	1.63"	37.61"	4
3093520180H	End RH or LH (2 req.)	76.0 lbs	3093520180 / O3D 7440L001	95Z3, 4	16.00"	10.50"	3.13"	1.63"	11.00"	3

www.blackcatwearparts.com sales@blackcatwearparts.com Toll Free: 1.800.661.6666 T: 780.465.6666 F: 780.465.9595

Caterpillar® and other identities and/or trademarks referred to in this publication are the registered marks of the entities noted herein. The use of any trademarks of others than Black Cat Wear Parts Ltd. are solely and exclusively for identification, informational, comparative, and descriptive purposes. Black Cat Wear Parts Ltd. is not affiliated with any owner of such registered marks and does not make, use, or sell any products manufactured by any such entity identified in this publication.



## Komatsu® Blades & Segments

Part Number	Description	Weight	Replaces (DBF)	Model	A	B	C	D	E	Holes
WA600-HA	CTR Blade (3 req.)	287.0 lbs	426-815-A110 (1 req.)	WA600-1 & 3	14.00"	9.00"	3.13"	2.00"	40.81"	4
WA600-HAE	End RH or LH (2 req.)	98.0 lbs	426-815-A120 (2 req.) 426-815-A130 (2 req.)		18.38"	14.00"	3.13"	2.00"	11.06"	4
WA500-3HA	CTR Blade (3 req.)	187.0 lbs	425-815-A310(1) / 425-815-A320(2)	WA500-1 S/N 20001+ WA500-3 & 6	11.00"	6.00"	3.13"	2.00"	36.99"	4
WA500-3HAL	End LH (1 req.)	82.0 lbs	or 425-815-A210(2) / 425-815-A320(2) or 425-815-2220(1) / 425-815-2210(2)		16.16"	11.00"	3.13"	2.00"	11.20"	3
WA500-3HAR	End RH (1 req.)	82.0 lbs			16.16"	11.00"	3.13"	2.00"	11.20"	3
WA470-HA	CTR Blade (3 req.)	116.0 lbs	421-815-A110(1) / 424-815-A110(2)	WA450-2 through WA470-1 & 3 WA480-5 & 6	10.25"	6.00"	2.50"	1.50"	30.68"	4
WA470-HAL	End LH (1 req.)	62.0 lbs	or 421-815-2110(1) / 421-815-1121(2)		10.25"	6.00"	2.50"	1.50"	16.14"	3
WA470-HAR	End RH (1 req.)	62.0 lbs	or 421-815-3210(2) / 421-815-3220(2)		10.25"	6.00"	2.50"	1.50"	16.14"	3
425-838-A110H	Segment	64.0 lbs	425-838-A110	WA500	15.25"	8.00"	2.88"	1.80"	11.19"	2
M600HAC	CTR Segment (1 req.)	122.2 lbs	426-838-3220 (1 req.)	WA600	17.13"	11.00"	3.63"	2.75"	13.00"	3
M600HAL	LH Segment (3 req.)	122.0 lbs	426-838-3210 (3 req.)		17.19"	11.00"	3.63"	2.75"	13.00"	3
M600HAR	RH Segment (3 req.)	122.0 lbs	426-838-3230 (3 req.)							

## Komatsu® Cover Plates

Part Number	Description	Weight	Used With	Model	Width	Legnth	Thickness	Holes
WA500-3TP	CTR Cover Plate (6 req.)	28.0 lbs	WA500-3HA WA500-3HAL WA500-3HAR	WA500-1 S/N 20001+ WA500-3 & 6	18.38"	7.00"	1.00"	2
WA500-3TPL	LH Cover Plate (1 req.)	22.0 lbs			12.13"	8.69"	1.00"	3
WA500-3TPR	RH Cover Plate (1 req.)	22.0 lbs						
425-838-A110F	Segment Cover Plate	20.0 lbs	425-838-A110H	WA500	11.19"	8.66"	1.00"	2
M600TPC	CTR Cover Plate	32.0 lbs	M600HAC M600HAL M600HAR	WA600	13.00"	9.13"	1.00"	3
M600TPL	LH Cover Plate	32.4 lbs						
M600TPR	RH Cover Plate	32.4 lbs						

## Volvo® Blades & Segments

Part Number	Description	Weight	Replaces	Model	A	B	C	D	E	Holes
L220HA	CTR Blade (3 req.)	208.0 lbs	1111-1776 (1req.) 1111-1775 (2 req.)	L150 - LM L180 - GP, LM L220 - GP	12.75"	8.00"	3.13"	1.88"	34.95"	5
L220HAL	End LH (1 req.)	110.0 lbs			16.69"	12.00"	3.13"	1.88"	14.44"	3
L220HAR	End RH (1 req.)	110.0 lbs			16.69"	12.00"	3.13"	1.88"	14.44"	3
L180HA	CTR Blade (3 req.)	145.0 lbs	1108-2666 (1 req.) 1108-2664 (2 req.)	L150 - GP, LM L180 - GP, LM L220 - LM	11.25"	6.50"	3.00"	1.50"	32.74"	4
L180HAL	End LH (1 req.)	77.0 lbs			15.19"	10.44"	3.00"	1.50"	13.63"	3
L180HAR	End RH (1 req.)	77.0 lbs			15.19"	10.44"	3.00"	1.50"	13.63"	3
L150HAC	CTR Blade (1 req.)	102.0 lbs	1108-1068 (1 req.) 1108-1069 (2 req.)	L150 - GP, LM, HT L180 - GP, LM, HT	10.50"	6.50"	3.00"	1.50"	24.75"	3
L150HA	Intermediate Ctr. (2 req.)	147.0 lbs			10.50"	6.50"	3.00"	1.50"	35.75"	6
L150HAE	End RH or LH (2 req.)	80.0 lbs			14.44"	10.44"	3.00"	1.50"	14.75"	4
1108-2617	Segment Half Arrow	99.0 lbs	1108-2443 or 1111-1134	L330C	16.50"	10.25"	4.49"	2.00"	13.38"	3
1111-1761HA	Segment Half Arrow	63.0 lbs	1111-1761	L220, 180, 150	13.75"	7.25"	2.88"	1.75"	13.00"	3

## Volvo® Cover Plates

Part Number	Description	Weight	Replaces	Model	Width	Legnth	Thickness	Holes
L180HATP	CTR Cover Plate (6 req.)	26.0 lbs	L180HA	L150 - GP, LM L180 - GP, LM L220 - LM	7.35"	16.25"	1.00"	2
L180HATPR	RH Cover Plate	23.0 lbs	L180HAL		11.48"	9.50"	1.00"	3
L180HATPL	LH Cover Plate	23.0 lbs	L180HAR		11.48"	9.50"	1.00"	3

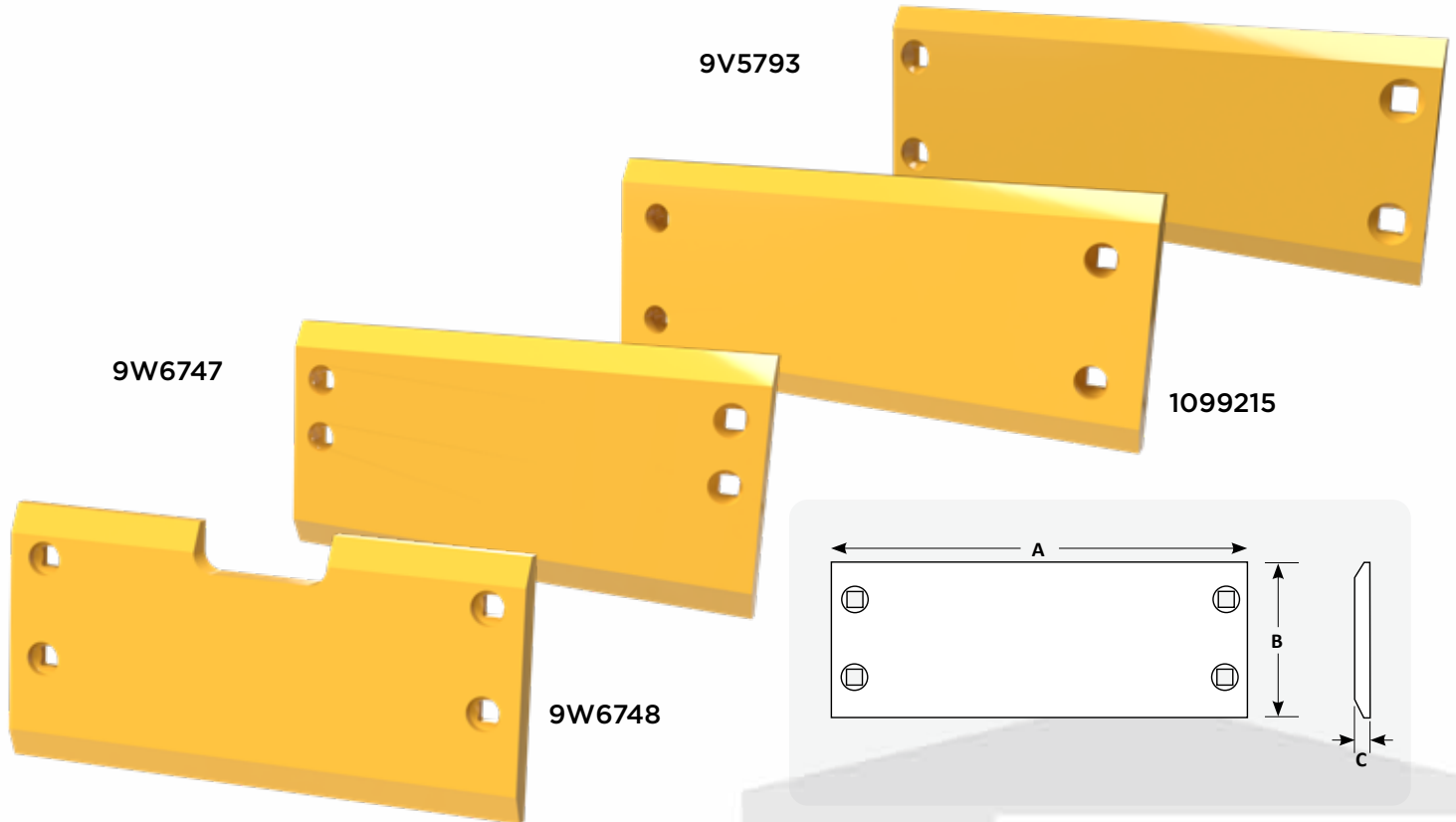
www.blackcatwearparts.com sales@blackcatwearparts.com Toll Free: 1.800.661.6666 T: 780.465.6666 F: 780.465.9595

Caterpillar® and other identities and/or trademarks referred to in this publication are the registered marks of the entities noted herein. The use of any trademarks of others than Black Cat Wear Parts Ltd. are solely and exclusively for identification, informational, comparative, and descriptive purposes. Black Cat Wear Parts Ltd. is not affiliated with any owner of such registered marks and does not make, use, or sell any products manufactured by any such entity identified in this publication.



## Heel Plates

for Applications on Caterpillar® Equipment



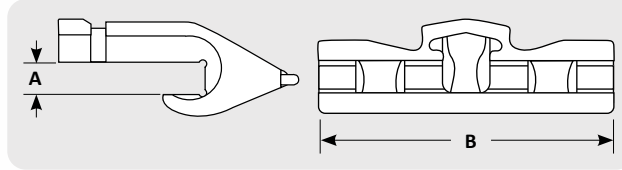
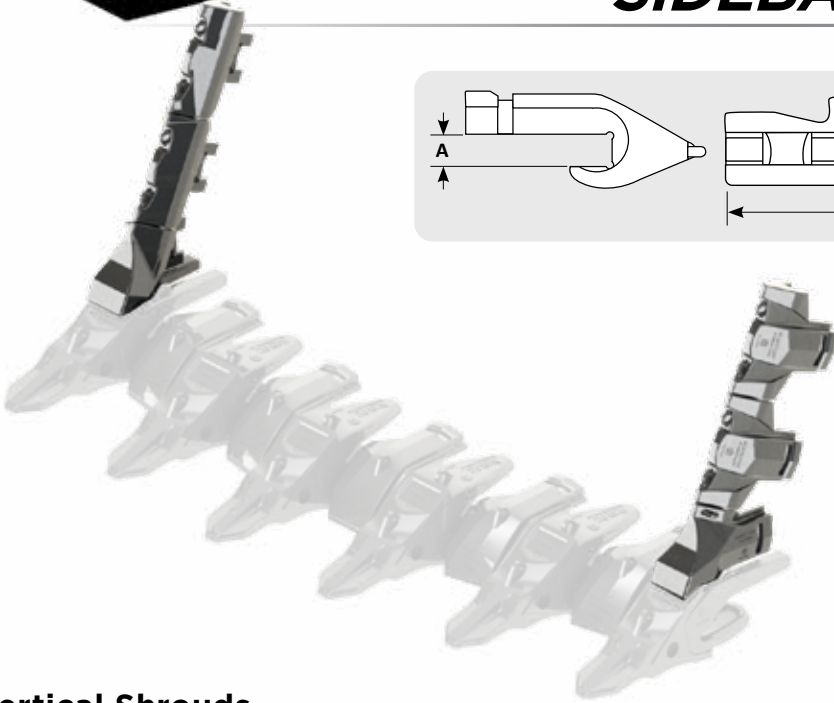
### Bolt On Wear Plates

Part #	Model	Weight	A	B	C	Bolt Size
9W6747	944, 950, 960, 962	42.2 lbs	20.75"	10.00"	1.00"	0.75"
9W6748	963	52.8 lbs	21.13"	10.00"	1.00"	0.75"
2482419	966, 972	63.0 lbs	17.32"	10.00"	1.38"	0.75"
3150095	966, 972	48.7 lbs	18.70"	10.00"	1.00"	0.75"
9W6749	966, 970, 973	81.4 lbs	22.25"	10.00"	1.38"	0.75"
1618573	966, 972	80.0 lbs	22.25"	10.00"	1.38"	0.75"
1619131	966	78.9 lbs	22.50"	10.00"	1.38"	0.75"
9W6750	973, 980	69.8 lbs	23.50"	10.00"	1.38"	0.75"
7V0910	973, 980	105.0 lbs	23.63"	11.50"	1.63"	0.75"
1099215	980	72.0 lbs	24.50"	10.00"	1.38"	0.75"
1130349	980,982	47.9 lbs	24.64"	10.00"	0.75"	0.75"
9V5793	988	55.1 lbs	26.75"	10.00"	1.00"	1.00"
6Y3609	988	75.8 lbs	26.75"	10.00"	1.38"	1.00"
3724704	988	88.3 lbs	26.75"	10.00"	1.38"	1.00"
6Y3573	990	148.9 lbs	32.00"	13.00"	1.38"	1.00"
6W0276	992	174.2 lbs	38.63"	13.00"	1.25"	1.00"
6Y3610	992	223.9 lbs	38.63"	13.00"	1.75"	1.00"
1004015	994	560.3 lbs	47.00"	14.75"	3.00"	1.25"



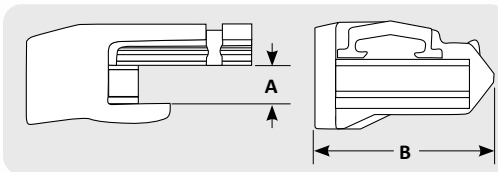


## SIDEBAR PROTECTORS



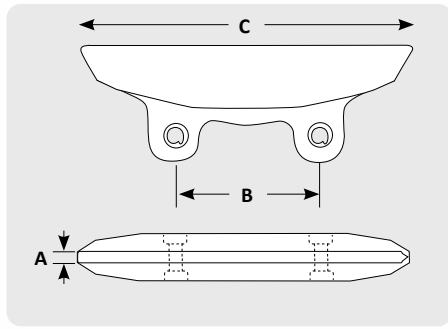
### Vertical Shrouds

Series	Center	Weight	A	B	Base	Rubber Bolt Seat	T-Nut Lock	Bolt
100	RVS100V2370	31 lbs	1.00"	23.75"	RVS5B	RVS34BL	RVS34LP	RVS34B
	RVS100V2370R64	31 lbs		23.75"				
150	RV150V1200	33 lbs	1.50"	12.00"				
	RV150V1600	44 lbs		16.00"				
200	RVS200V1800	89 lbs	2.00"	18.00"				
250	RVS250V1800	99 lbs	2.50"	18.00"				
300	RVS300V2000	190 lbs	3.00"	20.00"				
350	RVS350V3000	418 lbs	3.50"	30.00"	RVS9B	RVWSBL	RVWSP10	RVWSB2
550	RVS550V3200	541 lbs	5.50"	32.00"				

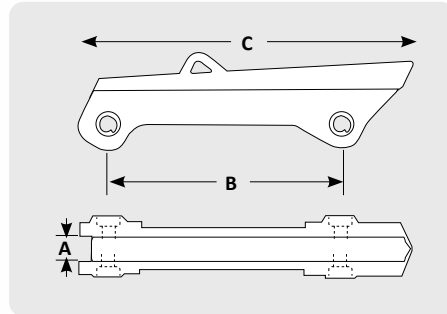


### Lower Vertical Shrouds

Series	LH	RH	Weight	A	B	Base	Rubber Bolt Seat	T-Nut Lock	Bolt
200	RVSLW200L	RVSLW200R	95.1 lbs	2.00"	9.13"	RVS7B	RVS1BL	RVS7LP	RVS1B
250	RVSLW250L	RVSLW250R	102.5 lbs	2.50"	9.13"				
300	RVSLW300L	RVSLW300R	214 lbs	3.00"	11.82"	RVS9B	RVWSBL	RVWSP10	RVWSB2
350	RVSLW350L	RVSLW350R	266.8 lbs	3.50"	12.82"				
550	RVSLW550L	RVSLW550R	342 lbs	5.50"	13.72"				



RVJ9J9600

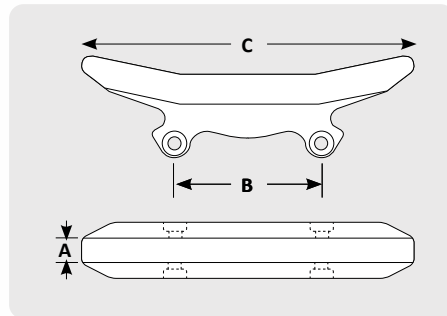


RVJ1250800L



### Black Cat Hammerless Protectors for Caterpillar® Applications

Part #	Description	Pin	Converter	Weight	A	B	C
RVJ9J9600	Side Protectors - Hammerless	RVJ350PS	RVJ350C	52.0 lbs	1.30"	10.00"	22.82"
RVJ1U0740		RVC450PS	RVC450C	48.3 lbs	2.09"	11.50"	23.54"
RVJ1250800L		RVC500P	RVC500C	147.1 lbs	2.64"	23.63"	33.81"
RVJ1250800R		RVC500P	RVC500C	147.1 lbs	2.64"	23.63"	33.81"



9J9600



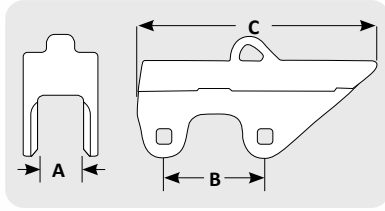
### Black Cat Sidebar Protectors for Caterpillar® Applications

Part #	Description	Pin	Retainer	Weight	A	B	C	Shear Block
1358246	Side Protectors - Pin On	1359292	1140359	24.0 lbs	1.13"	9.38"	18.19"	-
3295958		2755982	1320999	39.1 lbs	1.30"	7.87"	19.19"	3302174
1122489		1122490	1320999	40.0 lbs	1.24"	7.94"	17.13"	3302174
3263407		1320998	1320999	37.4 lbs	1.50"	7.87"	19.38"	3302174
9J9600		9J8442	1140359	44.5 lbs	1.37"	10.00"	22.69"	-
1662877		1320998	1320999	40.5 lbs	1.56"	7.88"	18.13"	3302174
1122494		1320998	1320999	77.3 lbs	1.63"	20.56"	37.00"	-
3295955		1321008	1320999	44.1 lbs	2.13"	7.87"	19.40"	3302174
1U0740		1U0739	8E5559	55.6 lbs	2.13"	11.50"	23.81"	-
1U0740HD		1U0739	8E5559	67.2 lbs	2.13"	11.50"	23.81"	-
3295957		3572689	1320999	71.4 lbs	2.55"	11.81"	26.09"	-
1250800		8E4708	4T4707	121.6 lbs	2.75"	23.63"	40.00"	-

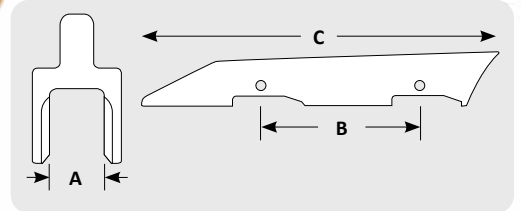
\* Weld in adapter plates are available for all Cat sidebar protectors



VS40

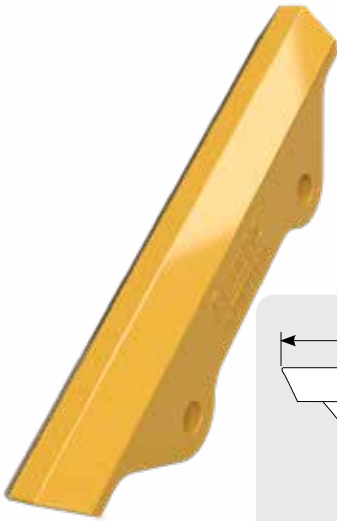


VS450

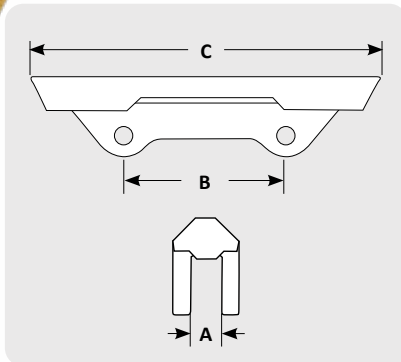


### Black Cat Sidebar Protectors for Hensley® Applications

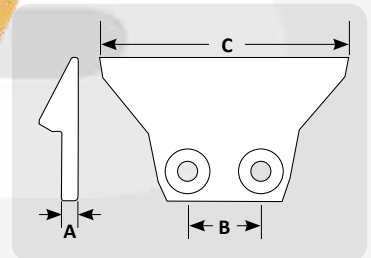
Part #	Description	Pin	Retainer	Weight	A	B	C
VS40	Side Protectors - Bolt On	1X4-1/2 Plow Bolt	Cone nut	48.0 lbs	3.62"	7.20"	17.33"
VS50		1X5 Plow Bolt	Cone nut	85.1 lbs	4.09"	9.09"	21.62"
VS450	Side Protectors - Pin On	VSP2-SL	VSR3-SL	43.7 lbs	N/A	13.50"	30.34"
VS500		VSP3-SL	VSR3-SL	67.5 lbs	N/A	16.00"	32.88"
VS550		VSP3-SL	VSR3-SL	86.6 lbs	N/A	17.13"	35.75"
VS450EXT	Side Protectors - Pin On Extension	VSP2-SL	VSR3-SL	27.3 lbs	-	N/A	21.04"
VSMWN	Side Protectors - Mount	N/A	N/A	4.7 lbs	N/A	-	-
VSM100WN		N/A	N/A	11.4 lbs	1.06"	-	-
VSM125WN		N/A	N/A	11.1 lbs	1.31"	-	-
VSM150WN		N/A	N/A	12.9 lbs	1.56"	-	-
VSM175WN		N/A	N/A	12.1 lbs	1.84"	-	-
VSM200WN		N/A	N/A	11.1 lbs	2.06"	-	-
VSM250WN		N/A	N/A	13.2 lbs	2.56"	-	-



4277013611

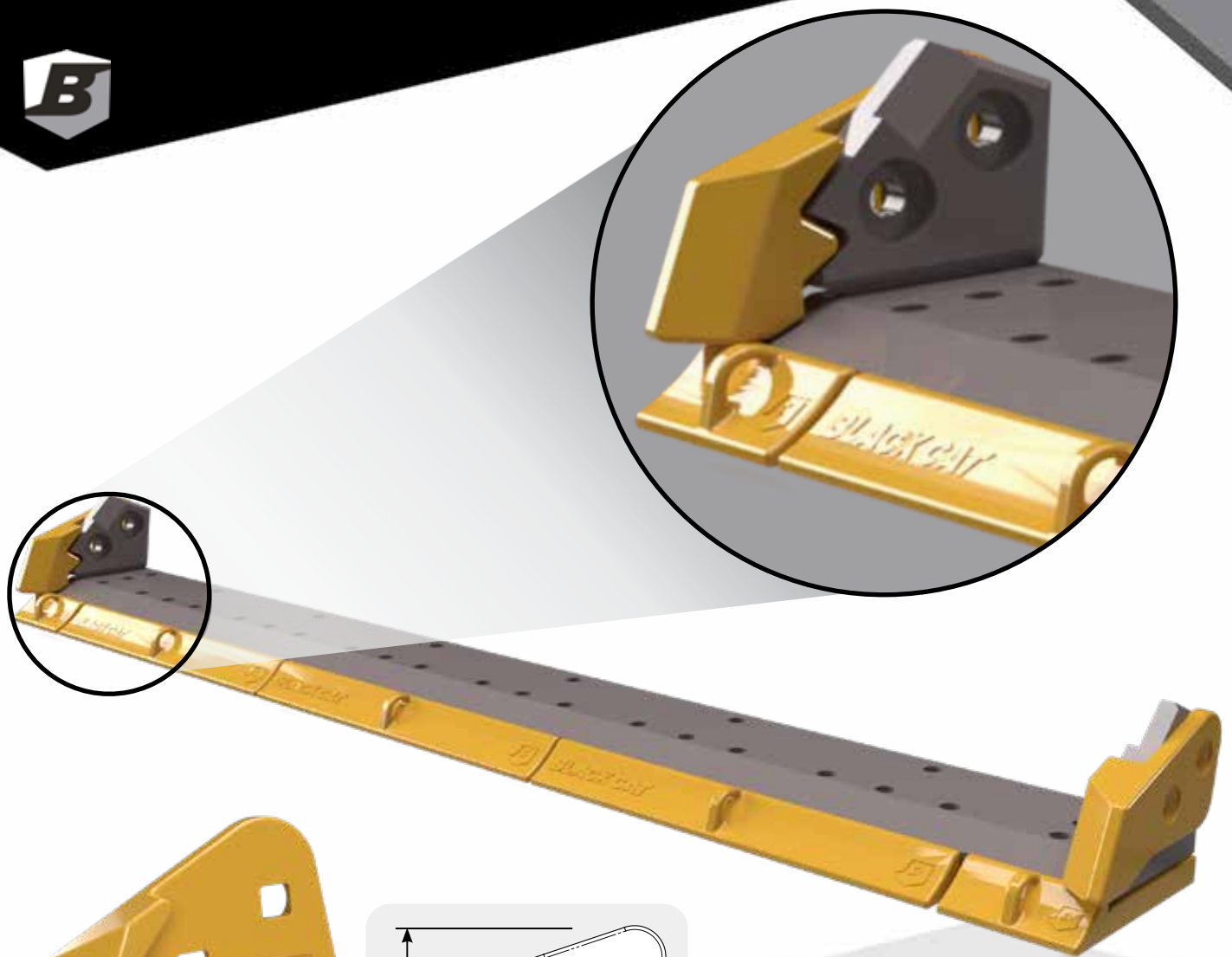


T380110

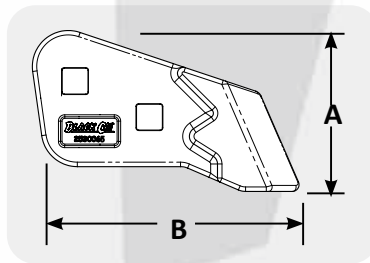
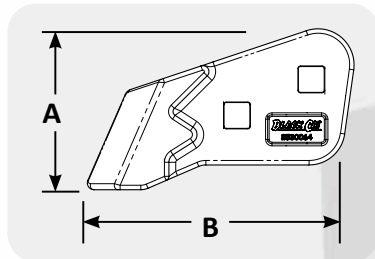


### Black Cat Sidebar Protectors for Deere® and Komatsu® Applications

Part #	Description	Pin	Retainer	Weight	A	B	C
T210715	Side Protectors - Bolt On - 844	1-1/4x4 Hex bolt	Nut	89.6 lbs	1.12"	14.96"	32.20"
T380110	Side Protectors - Bolt On - 824	1-1/4x4-1/2 Hex bolt	Nut	41.4 lbs	1.12"	5.22"	17.91"
4277013611	Side Protectors - Bolt On - PC600/700	1957871360	N/A	66.2 lbs	2.00"	11.81"	25.39"



2530060



2530061

### Corner Guard Protectors

Part #	Description	Model	Fits to corner	Weight	A	B
253 0060/61	Corner Protectors - Bolt On RH/LH	916-962	618310/11	20.5 lbs	8.31"	12.25"
253 0062/63		938-966	8E5300/01	27.5 lbs	8.19"	13.38"
173 5426/27		960-980	8E5310/11	30.2 lbs	8.75"	13.0"
253 0064/65				38.9 lbs	8.94"	15.00"
173 5428/29		966-988	618249/50	35.8 lbs	9.25"	14.5"
253 0066/67				69.6 lbs	10.38"	17.50"

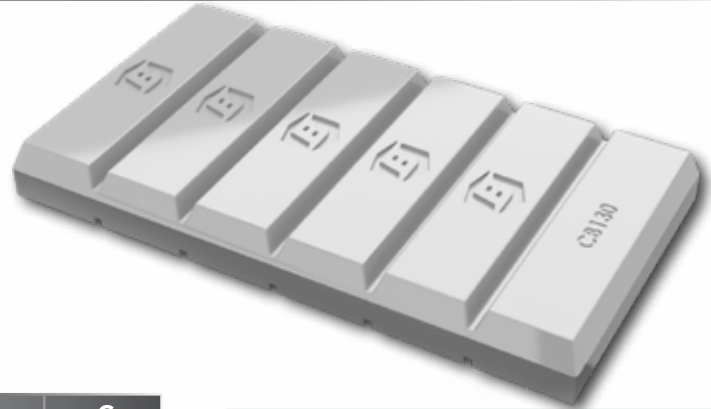
www.blackcatwearparts.com sales@blackcatwearparts.com Toll Free: 1.800.661.6666 T: 780.465.6666 F: 780.465.9595

Caterpillar® and other identities and/or trademarks referred to in this publication are the registered marks of the entities noted herein. The use of any trademarks of others than Black Cat Wear Parts Ltd. are solely and exclusively for identification, informational, comparative, and descriptive purposes. Black Cat Wear Parts Ltd. is not affiliated with any owner of such registered marks and does not make, use, or sell any products manufactured by any such entity identified in this publication.



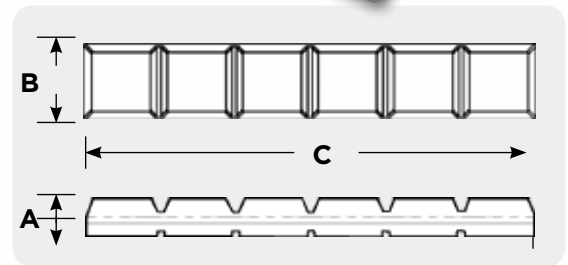
## Chocky Bars & Wear Buttons

- Provides Extra Protection
- Extends Bucket Life
- Mild Steel Backing Plate
- Bars Can be Shaped and Curved
- Easily Weldable



### Chocky Bars

Part #	Description	Weight	A	B	C
CB25	25MM	2.2 lbs	0.98"	0.98"	9.45"
CB40	40MM	3.5 lbs	0.98"	1.57"	9.45"
CB50	50MM	4.4 lbs	0.98"	1.97"	9.45"
CB65	65MM	6.0 lbs	0.98"	2.56"	9.45"
CB90	90MM	8.4 lbs	0.98"	3.54"	9.45"
CB100	100MM	9.5 lbs	0.98"	3.94"	9.45"
CB130	130MM	11.7 lbs	0.98"	5.12"	9.45"



### Wear Buttons

Part #	Description	Weight	Thickness	Diameter
WB60	WEAR BUTTON 60MM	1.3 lbs	0.98"	2.37"
WB75	WEAR BUTTON 75MM	2.2 lbs	0.98"	2.95"
WB90	WEAR BUTTON 90MM	2.9 lbs	1.14"	3.54"
WB115	WEAR BUTTON 115MM	5.8 lbs	1.26"	4.53"
WB150	WEAR BUTTON 150MM	12.3 lbs	1.61"	5.91"



### Wear Donuts

Part #	Description	Weight	Thickness	Inside Diameter	Outside Diameter
DLP-1920	75OD 25ID	1.7 lbs	0.98"	0.98"	2.95"
DLP-1921	100OD 50ID	2.5 lbs	0.98"	1.97"	3.94"
DLP-1994	100OD 70ID 1P	1.8 lbs	1.26"	2.76"	3.94"
DLP-2196	130OD 80ID 11/4P	3.1 lbs	0.91"	3.15"	5.12"

### Wear Plate

Part #	Description	Weight	Thickness	Inside Diameter	Outside Diameter
BC CS2	BOLT ON CHOCKY BAR	50.6 lbs	1.36"	11.73"	11.73"



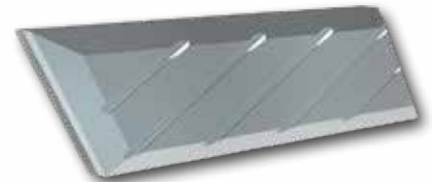


## Skid Bars

Part #	Description	Weight	Thickness	Width	Length
SB403	4X8-3/8	11.9 lbs	1.34"	3.98"	8.38"
SB404L	4X8-3/8 LH	12.8 lbs	1.34"	3.98"	8.38"
SB405R	4X8-3/8 RH	12.8 lbs	1.34"	3.98"	8.38"
SB406	4X12	16.3 lbs	1.34"	3.98"	12.00"
SB407L	4X12 LH	18.3 lbs	1.34"	3.98"	12.00"
SB408R	4X12 RH	18.3 lbs	1.34"	3.98"	12.00"
SB409	4X6	8.4 lbs	1.34"	3.98"	6.00"
SB410L	4X6 LH	9.3 lbs	1.34"	3.98"	6.00"
SB411R	4X6 RH	9.3 lbs	1.34"	3.98"	6.00"
SB413	6X8	19.2 lbs	1.77"	6.00"	8.00"
2804099	USE SB413 38MM	0	1.45"	6.00"	8.00"



SB403



SB407L

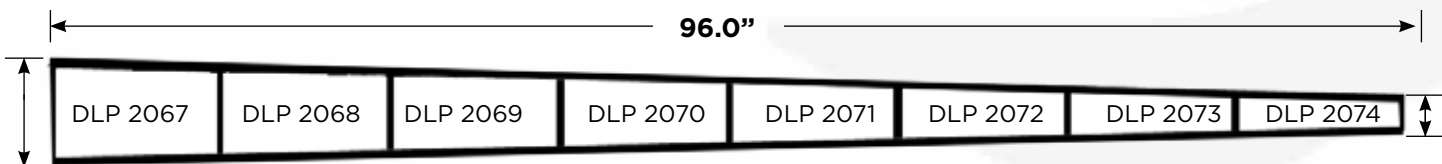
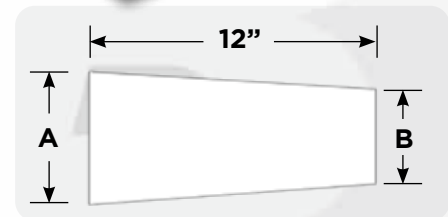
## Roll Bars

Part #	Description	Weight	Diameter	Length
2804096	1.25" Roll Bar	2.7 lbs	1.26"	9.00"
2804097	2.00" Roll Bar	12.1 lbs	2.00"	12.00"
2804098	3.00" Roll Bar	24.3 lbs	3.00"	12.00"



## Grizzly Bars

Part #	Description	Weight	A	B
DLP-2067	GRIZZLY BAR 150-138MM	29.7 lbs	5.91"	5.41"
DLP-2068	GRIZZLY BAR 138-125MM	27.5 lbs	5.41"	4.94"
DLP-2069	GRIZZLY BAR 125-113MM	25.3 lbs	4.94"	4.44"
DLP-2070	GRIZZLY BAR 113-100MM	22.7 lbs	4.44"	3.94"
DLP-2071	GRIZZLY BAR 100-88MM	20.0 lbs	3.94"	3.44"
DLP-2072	GRIZZLY BAR 88-75MM	16.3 lbs	3.44"	3.00"
DLP-2073	GRIZZLY BAR 75-63MM	13.6 lbs	3.00"	2.50"
DLP-2074	GRIZZLY BAR 63-50MM	11.9 lbs	2.50"	2.00"
DLP-2075	GRIZZLY BAR 150-141MM	30.7 lbs	5.91"	5.50"
DLP-2076	GRIZZLY BAR 141-131MM	28.0 lbs	5.50"	5.16"
DLP-2077	GRIZZLY BAR 131-122MM	26.3 lbs	5.16"	4.81"
DLP-2078	GRIZZLY BAR 122-113MM	24.1 lbs	4.81"	4.44"
DLP-2079	GRIZZLY BAR 113-103MM	22.4 lbs	4.44"	4.06"



5.9"

2.0"

www.blackcatwearparts.com sales@blackcatwearparts.com Toll Free: 1.800.661.6666 T: 780.465.6666 F: 780.465.9595

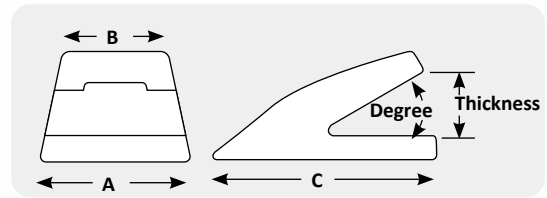
Caterpillar® and other identities and/or trademarks referred to in this publication are the registered marks of the entities noted herein. The use of any trademarks of others than Black Cat Wear Parts Ltd. are solely and exclusively for identification, informational, comparative, and descriptive purposes. Black Cat Wear Parts Ltd. is not affiliated with any owner of such registered marks and does not make, use, or sell any products manufactured by any such entity identified in this publication.



## Lip, Heel and Corner Protection

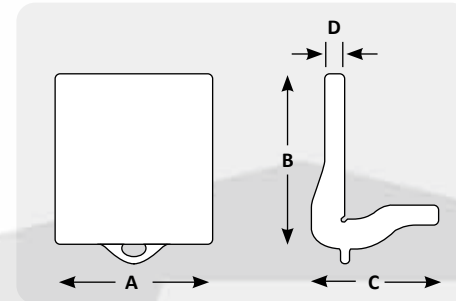
### Weld On Lip Shrouds

Part #	Weight	Lip Thickness	Degree	A	B	C
4ML50UC	14.6 lbs	1.25-2.00	30°	5.59"	5.15"	8.12"
10WS	19.6 lbs	1.50"	30°	10.00"	7.00"	7.38"
13WS	40.7 lbs	1.75"	23°	13.00"	10.00"	10.25"
WS25	4.0 lbs	1.75"	22°	2.50"	2.50"	4.88"
WS45	14.2 lbs	1.75-2.00"	30°	4.50"	4.50"	7.17"
WLS2003024	122.1 lbs	2.00"	30°	24.00"	24.00"	9.18"
WLS2503024	171.1 lbs	2.50"	30°	24.00"	24.00"	11.33"
WS80	33.4 lbs	2.50"-3.00"	30°	8.00"	7.00"	8.57"
4ML70UC	45.3 lbs	2.50"-3.00"	30°	9.47"	8.93"	9.49"
WLS3003024	202.6 lbs	3.00"	30°	24.00"	24.00"	12.72"
4599824BC	19.1 lbs	3.15"	22°	2.28"	2.28"	12.17"
WLS3503024	271.6 lbs	3.50"	30°	24.00"	24.00"	14.74"
WLS4003024	417.1 lbs	4.00"	30°	24.00"	24.00"	17.46"
STR120UC	85.2 lbs	4.00"-4.75"	30°	12.16"	10.40"	9.23"
STR120LD	83.3 lbs	4.00"-4.75"	30°	11.90"	9.50"	9.14"
STR120RD	83.9 lbs	4.00"-4.75"	30°	11.90"	9.50"	9.14"



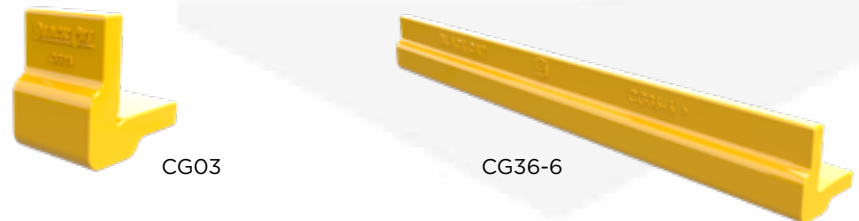
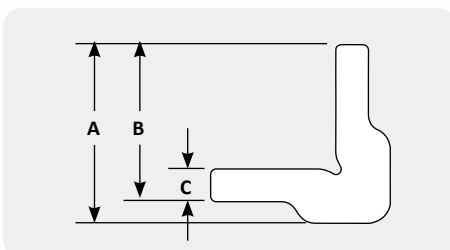
### Weld On Heel Shrouds

Part #	Description	Weight	A	B	C	D
CG03	Straight	5.4 lbs	3.00"	4.12"	3.62"	0.75"
2804079	Curved	9.3 lbs	4.70"	5.90"	4.30"	0.79"
2804078	Straight	10.8 lbs	4.70"	5.90"	4.30"	0.79"
ES6697-4	Curved	22.4 lbs	7.49"	7.00"	4.00"	1.24"
1386551	Curved	26.9 lbs	6.88"	8.13"	5.88"	1.00"
ST002	Curved	29.2 lbs	11.75"	4.00"	4.00"	1.00"
1386529	Straight	29.6 lbs	6.88"	8.13"	5.88"	1.00"
ES6697-3	Curved	29.9 lbs	7.49"	7.00"	4.00"	1.24"
ST001	Straight	33.3 lbs	18.00"	4.00"	4.00"	1.00"
ES6697-2	Curved	45.3 lbs	7.50"	10.00"	6.00"	2.00"
1571027	Curved	59.3 lbs	9.81"	10.63"	7.88"	1.19"
1571019	Straight	65.1 lbs	9.81"	10.63"	7.88"	1.19"
ES6697-5	Curved	87.5 lbs	9.99"	12.00"	8.00"	2.00"
ES6697-7	Curved	189.5 lbs	9.84"	13.70"	9.88"	3.94"



### Corner Protectors

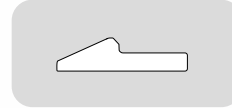
Part #	Description	Weight	Length	A	B	C
CG24-5	Round Edge	31.5 lbs	24.00"	3.88"	3.50"	0.63"
CG36-6	Square Edge	67.8 lbs	36.00"	4.13"	3.63"	0.75"



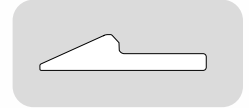


## Rolled Bar Half Arrow Edges

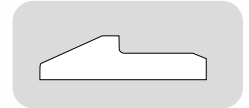
- Available with or without holes
- Up to 168" in length
- Carbide Overlay available



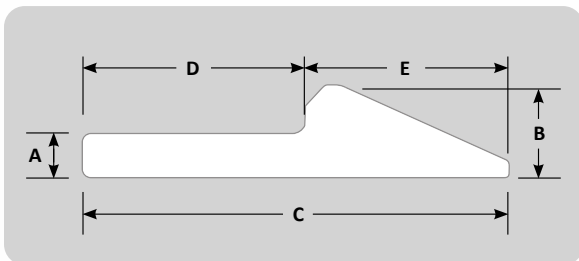
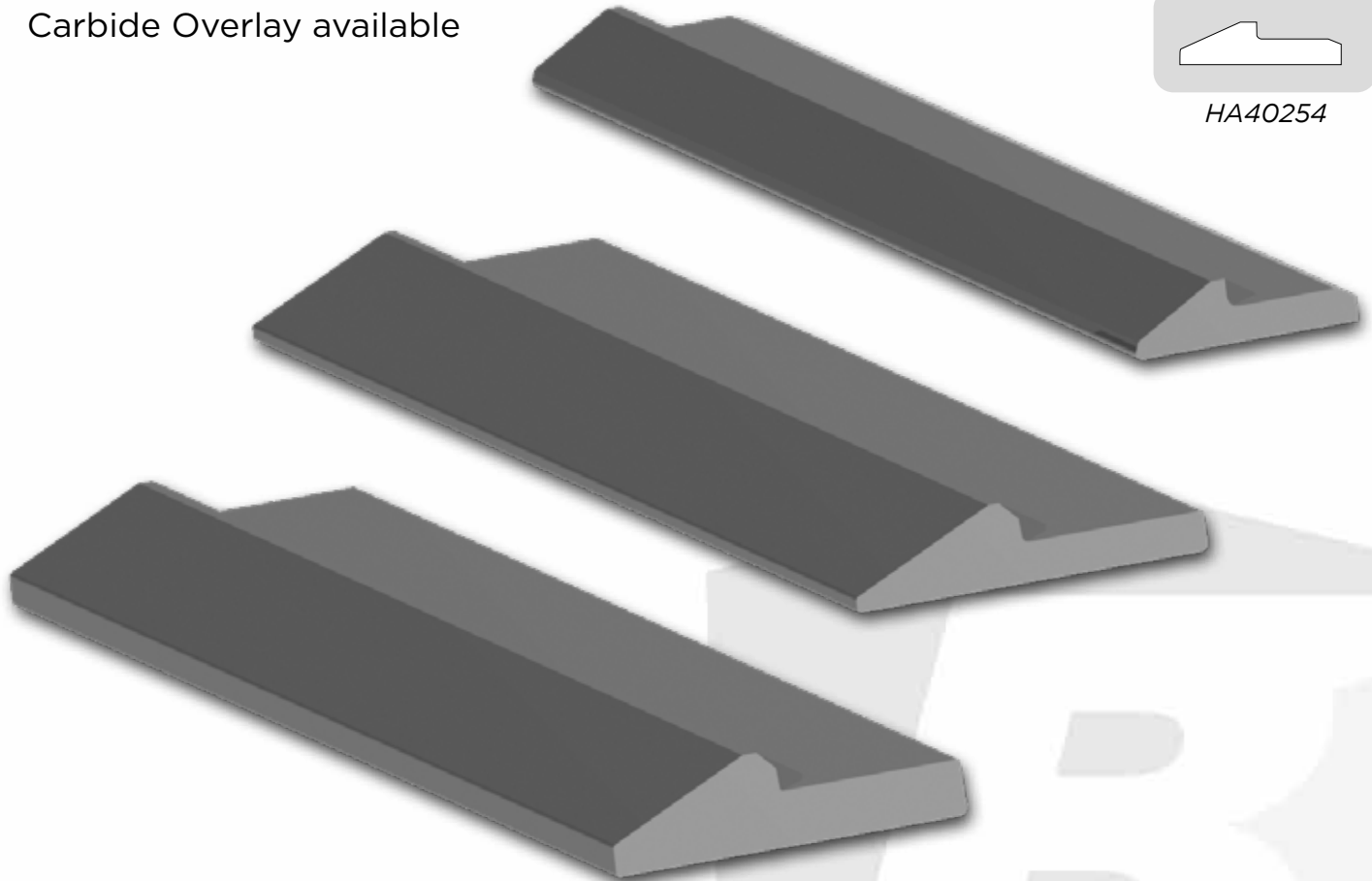
HA25161



HA28254



HA40254



Profile	A	B	C	D	E	Hardness Values
HA25161	1.00"	1.78"	6.33"	3.62"	2.70"	<b>Rockwell:</b> 39-45 HRC (No Holes) 44-52 HRC (With Holes)
HA28254	1.13"	2.25"	10.00"	5.19"	4.81"	<b>Brinell:</b> 360-420 (No Holes) 415-515 HRC (With Holes)
HA40254	1.56"	2.69"	10.00"	5.19"	4.81"	